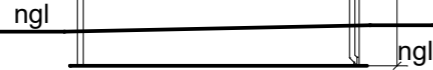


dark dolphine, chromadek finish, kingklip700 roof sheets, pitch @ 1 deg°

50 x 200mm lipped channel

50 x 75mm lipped channel

75 x 75mm steel columns colour to match existing beams on site



lipped channel colour to match existing beams on site  
dark dolphine chromadek gutter and down pipe

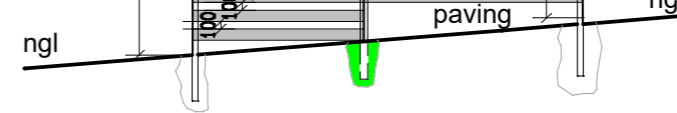
12 x 12 x 2mm aluminium angel  
Apex double sided fascia board 2.9 x 150 x 12mm

100 x 75mm steel columns colour to match existing beams on site

lipped channel colour to match existing beams on site

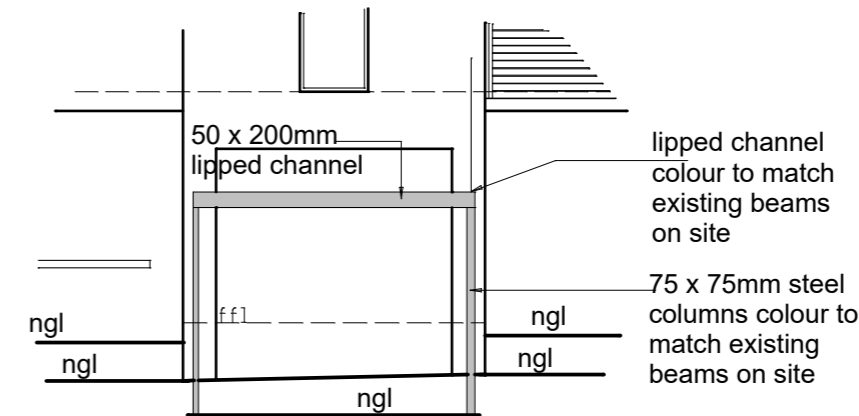
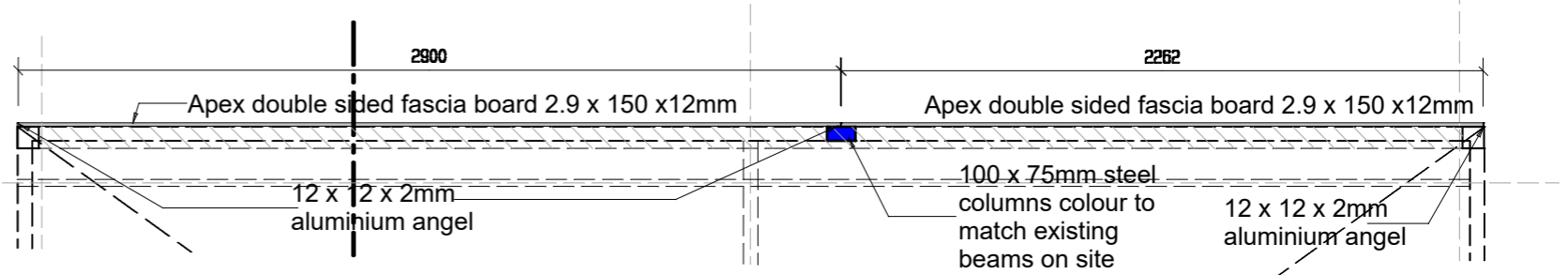
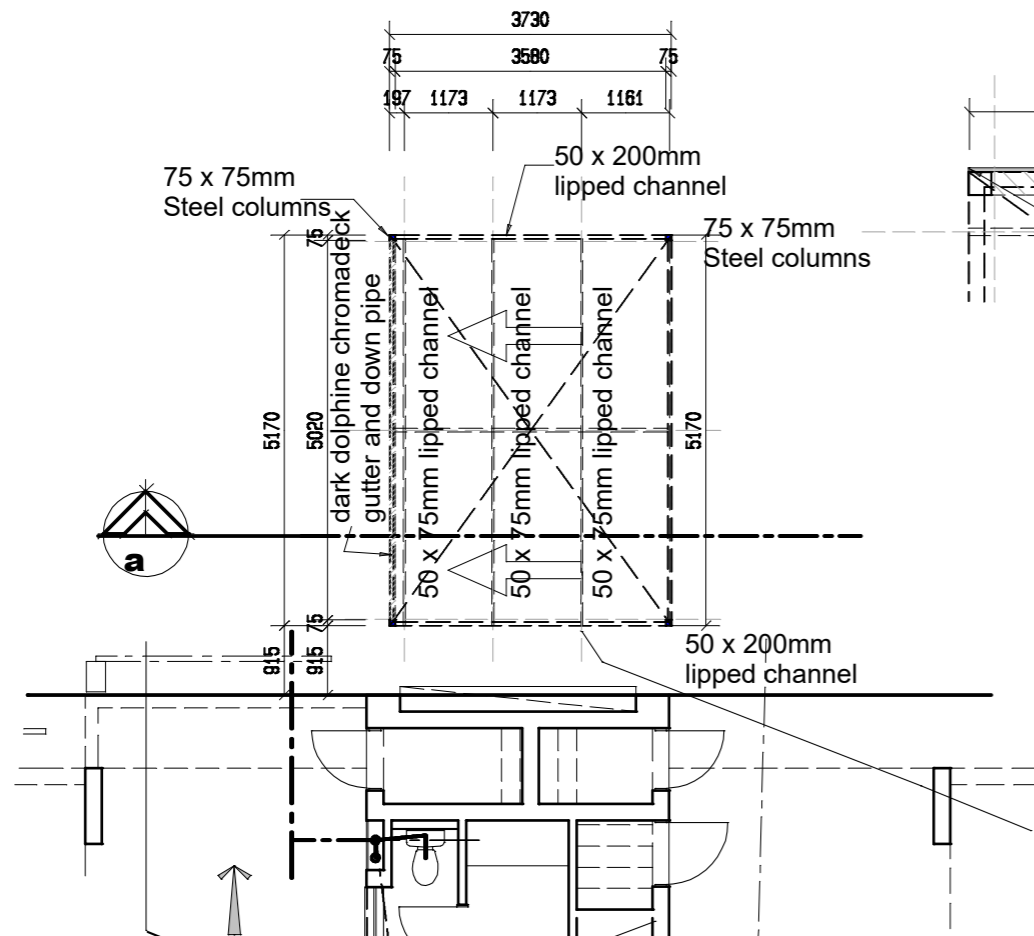
50 x 200mm lipped channel

75 x 75mm steel columns colour to match existing beams on site



**Section A-A**  
Scale - 1:100

**Side Elevation**  
Scale - 1:100

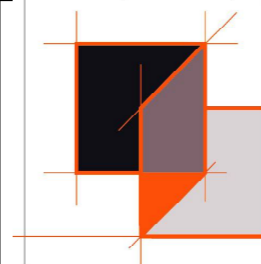


**Ground Floor Plan**  
Scale - 1:100

**Front Elevation**  
Scale - 1:100

DRAWING DESCRIPTION.

REVISED NEW CARPORTS AT  
GATE HOUSE STD. 442, BOARDWALK,  
X 16, FOR THE HOA.



**BELVEDERE**  
ARCHITECTS



8 Wanderers Road,  
Woodhill, Pretoria,  
0076

Cell: 083 653 0657  
Tel: 012 998 2328  
sj@belarc.co.za